

NECP32GBZLB Series

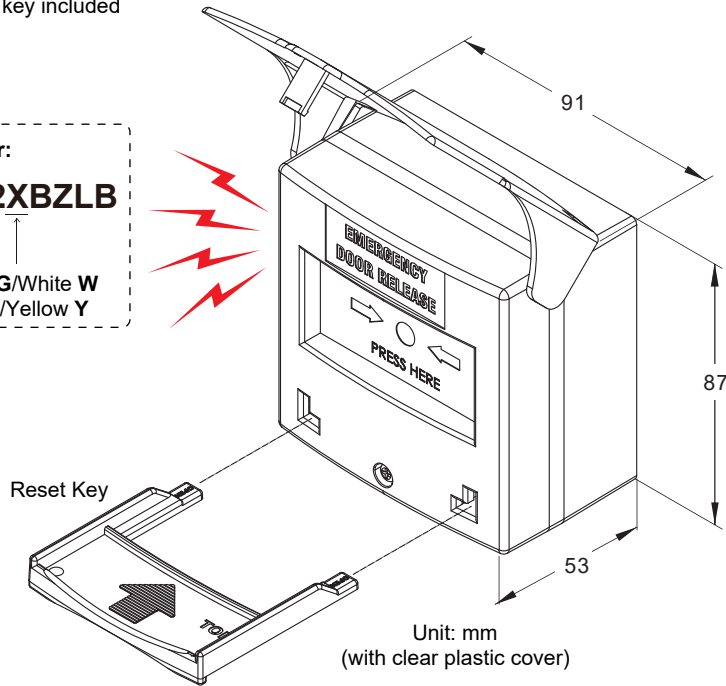
Resettable Call Point Operation Manual

(Blue Backlight & Built-in Buzzer)

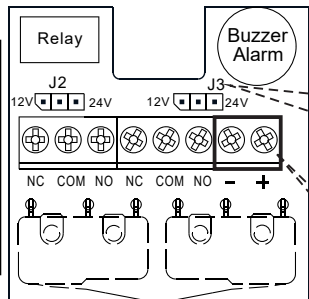
- Operating voltage: 12/24VDC (factory default 24VDC)
- Dimensions: 87x91x53 mm (with clear plastic cover)
- Contact resistance: 100mΩ
- Double pole: switch 1 (NC/COM/NO) 5A 125/250 VAC
switch 2 (NC/COM/NO) 1A at 30VDC
- Backlight illumination: Blue
- Built-in buzzer: 80dB
- Plastic case: Green / White / Red / Yellow
- Resettable key included

Part Number:
NECP32XBZLB

Green G/White W
Red R/Yellow Y



Unit: mm
(with clear plastic cover)



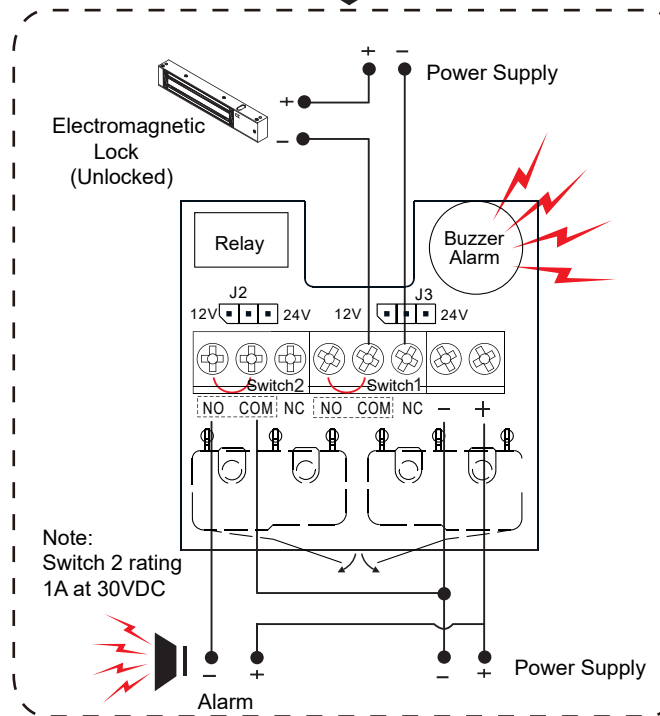
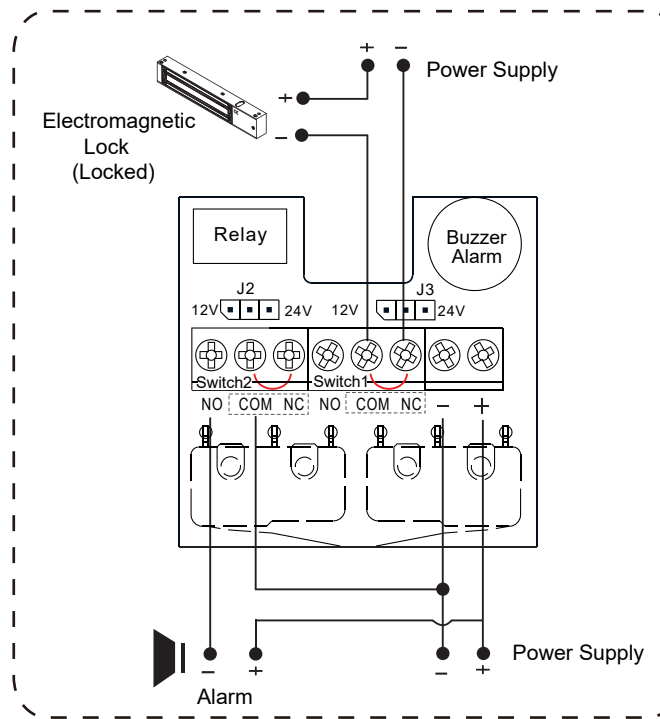
Step 1

Set the voltages at J2 and J3 by using the jumpers based on your input voltage.

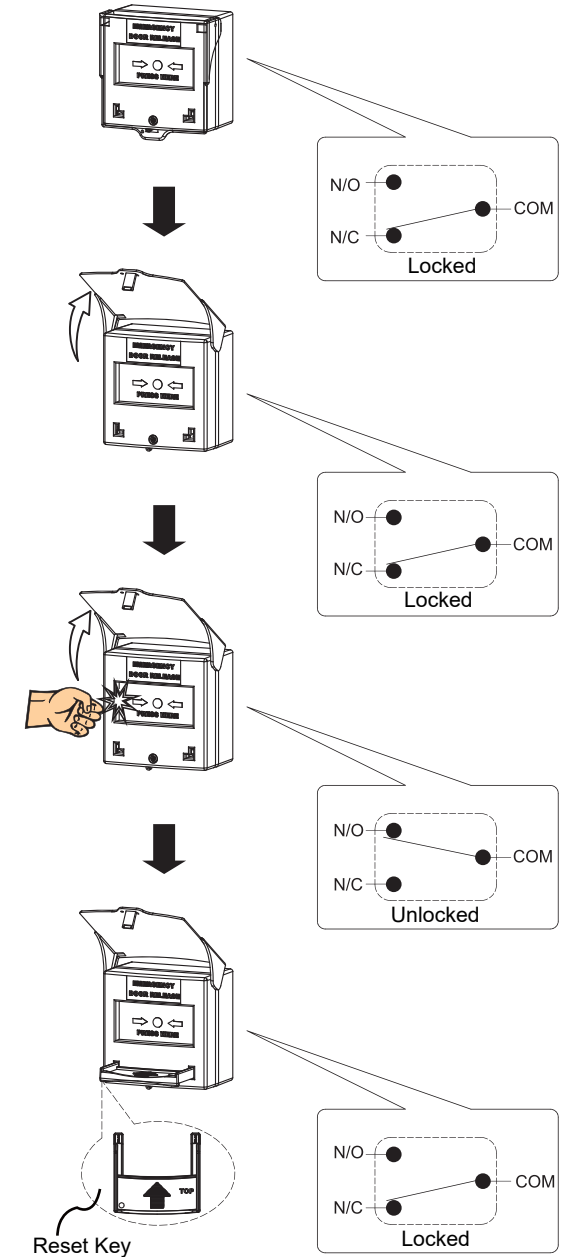


Step 2

Apply power.



Note:
Switch 2 rating
1A at 30VDC



CAUTION

Voltage settings for J2 and J3 must be the same. Failure to correctly set the input voltage will cause damage to the product.